

Z-Line Medium Profile Boltless Shelving Installation Instructions

Tennsco Corp., Dickson, TN 37056-1888 • (615) 446-8000

RETAIN INSTRUCTIONS FOR FUTURE REFERENCE!

Congratulations on your purchase of Z-Line Medium Profile Boltless Shelving from **Tennsco**! Z-Line's interlocking keyhole design not only makes installation fast and easy but eliminates the need for clips, gussets, sway braces or other hardware commonly used in conventional shelving. This allows completely free access to your stored materials from all sides of the unit.

Z-Line Medium Profile Shelving is available in a variety of heights, depths and widths for virtually any application. And starter and adder units allow for joining your shelving units together.

SHELF LOAD CAPACITIES

36" wide units 1000 lbs. per shelf
48" wide units 850 lbs. per shelf

GENERAL SAFETY INFORMATION

Some parts may have sharp edges. CARE must be taken when handling pieces to avoid injury. For safety, wear a pair of work gloves when assembling or performing any maintenance on shelving.



LIMITED WARRANTY

Tennsco warrants goods purchased hereunder to be free of defects in materials and workmanship for a period of one (1) year from the date of shipment, hereunder. This warranty shall not apply in the event goods are damaged as a result of misuse, abuse, neglect, accident, improper application, modification or repair by persons not authorized by Seller, where goods are damaged during shipment, or where the date stamps on the goods have been defaced, modified or removed. UNLESS CONSIDERED UNENFORCEABLE OR UNLAWFUL UNDER APPLICABLE LAW:

- a. ALL IMPLIED WARRANTIES, INCLUDING BUT NOT LIMITED TO WARRANTIES OR MERCHANTABILITY AND FITNESS FOR A PARTICULAR PURPOSE ARE HEREBY EXCLUDED:
- b. BUYERS REMEDY, IF ANY, FOR ANY DEFECTIVE GOODS SHALL BE LIMITED TO A REFUND BY SELLER OR REPLACEMENT OF THE GOODS AT SELLER'S OPTION, AND SHALL IN NO EVENT INCLUDE DAMAGES OF ANY KIND, WHETHER INCIDENTAL, CONSEQUENTIAL OR OTHERWISE.

NO GOODS ACCEPTED FOR RETURN WITHOUT PRIOR APPROVAL. Seller shall have the right to inspect any goods claimed to be defective at Buyers place of business or require Buyer to return the goods to Seller for inspection on Seller's premises. Transportation charges covering returned goods will be borne by Seller only if such goods are proven to be defective, are covered by this warranty and are returned within the warranty period stated above.

TENNSCO CORP., P.O. BOX 1888, DICKSON, TN 37056-1888
(615) 446-8000 (800) 251-8184

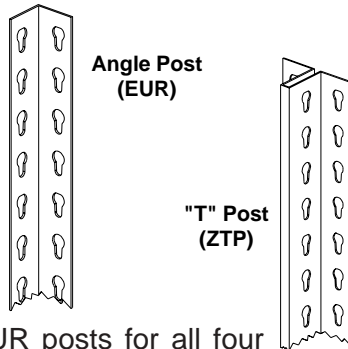
ASSEMBLY OF BOLTLESS MEDIUM PROFILE SHELVING

Tools Needed: A rubber mallet for seating the shelf supports into the uprights.

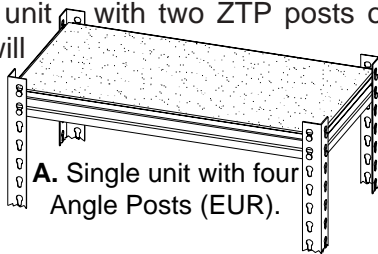
Two people are recommended for assembly. Approximate assembly time: 15 to 30 minutes per station.

1. The reference numbers used throughout this sheet refer to the illustration on the back cover. This is to help you to identify the various parts as they are mentioned.

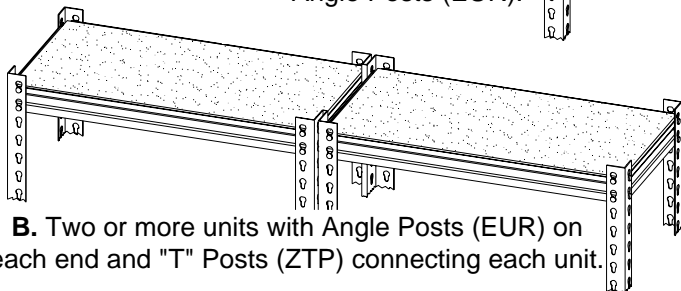
2. Depending upon whether you ordered a single unit or an adder unit, you may have one or both of the styles of upright shown at right:



A single unit will use EUR posts for all four uprights, as shown below in Figure A. If you plan on adding an adder unit, however, you should build your starter unit with two ZTP posts on one end (which will join with the adder), as shown in Figure B.



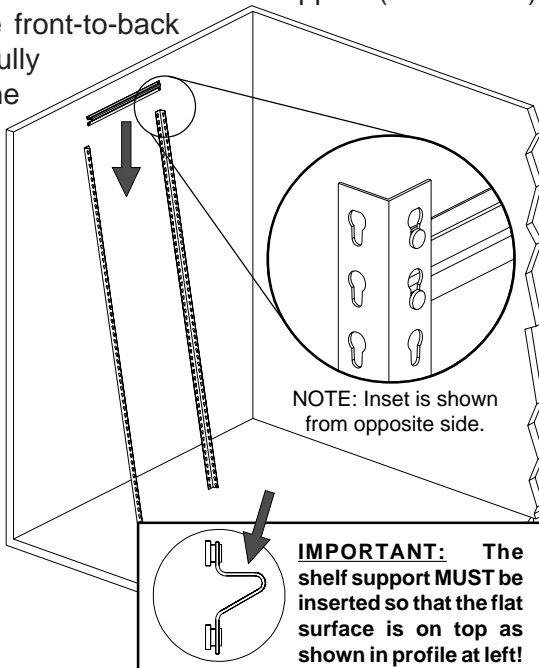
A. Single unit with four Angle Posts (EUR).



B. Two or more units with Angle Posts (EUR) on each end and "T" Posts (ZTP) connecting each unit.

3. With help from an associate, or using a wall for support, connect two EUR uprights (Ref. No. 1a) together with one front-to-back support (Ref. No. 2). Be sure the front-to-back support is fully seated in the keyhole slots, as shown.

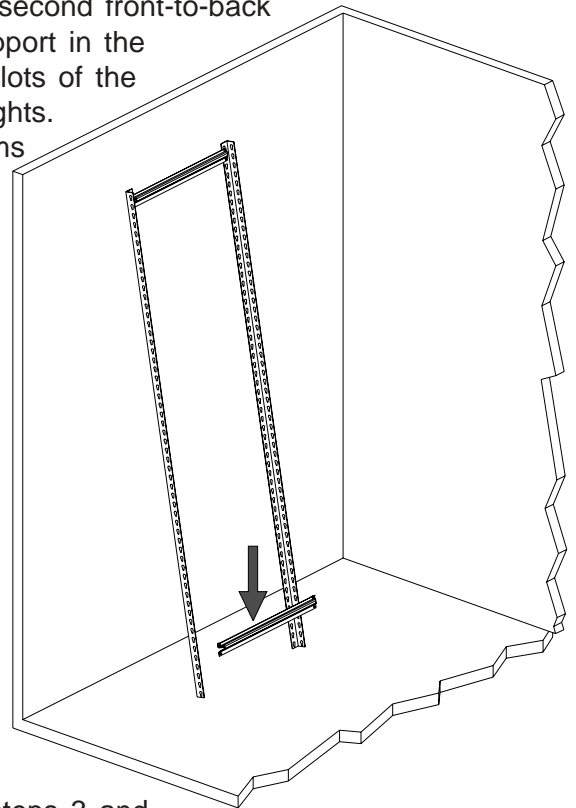
NOTE: The uprights must be positioned so that the narrow part of the slots is toward the floor, as shown in the inset.



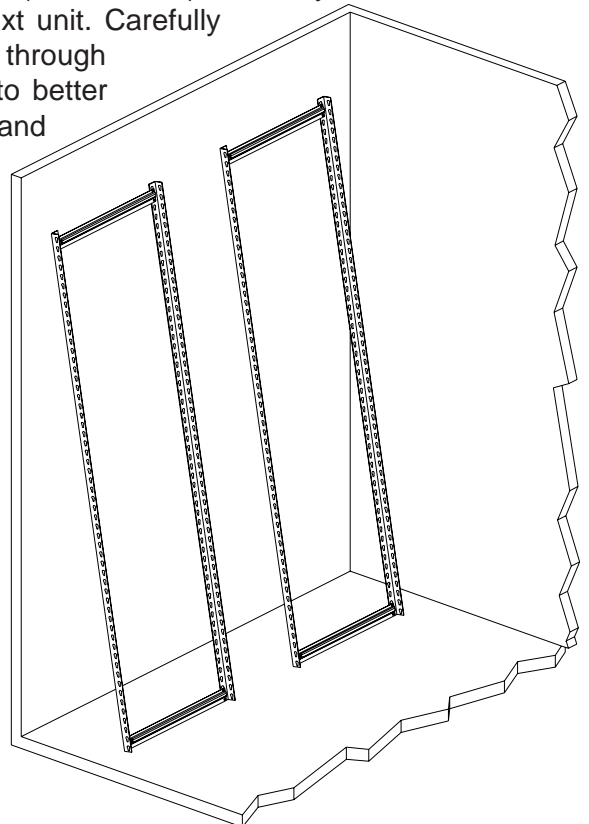
NOTE: Inset is shown from opposite side.

IMPORTANT: The shelf support **MUST** be inserted so that the flat surface is on top as shown in profile at left!

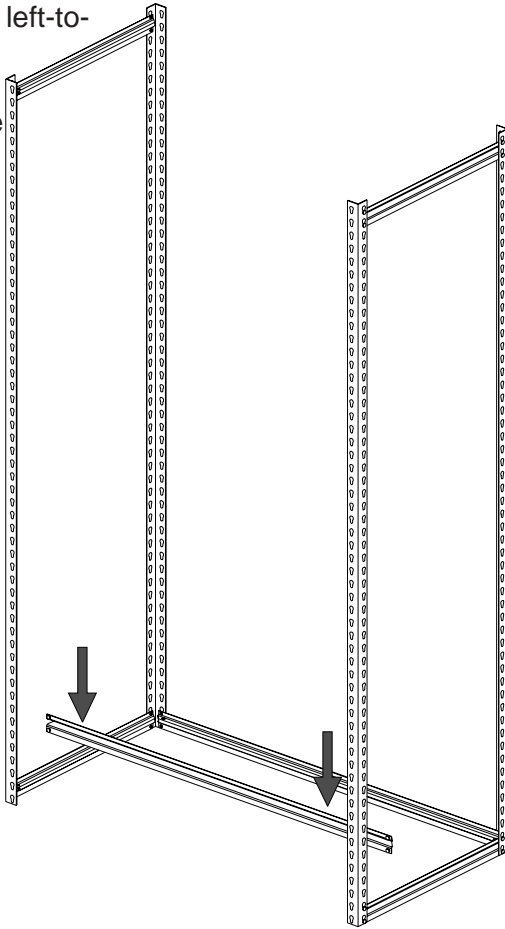
4. Place a second front-to-back shelf support in the bottom slots of the two uprights. This forms one end of your shelving unit.



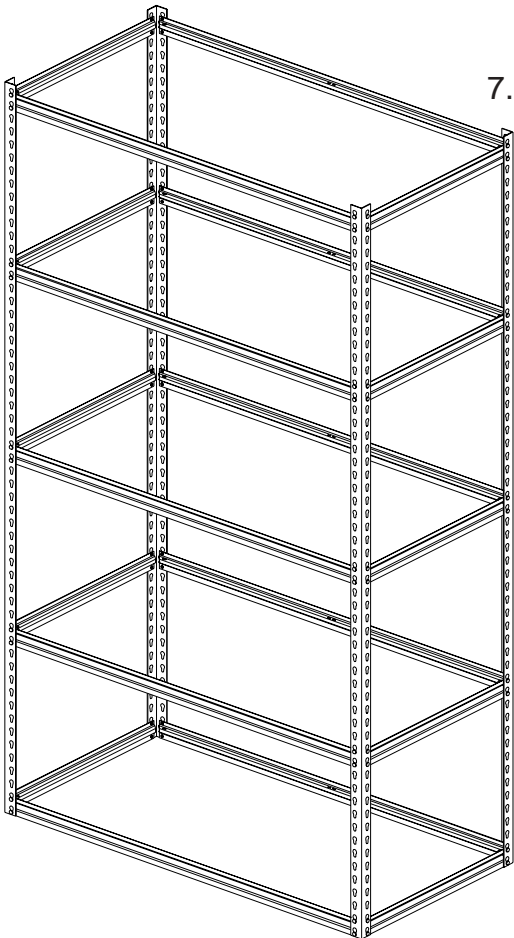
5. Repeat steps 3 and 4 to construct a second set of unit ends. **NOTE:** If you are planning to install an adder unit, this second end should consist of ZTP Uprights (Ref. No. 1b) so that you can connect your next unit. Carefully re-read through step 2 to better understand this.



6. With the help of an associate, connect the two unit ends with left-to-right shelf supports. Again, be sure that the shelf supports are fully seated, as illustrated in step 3.

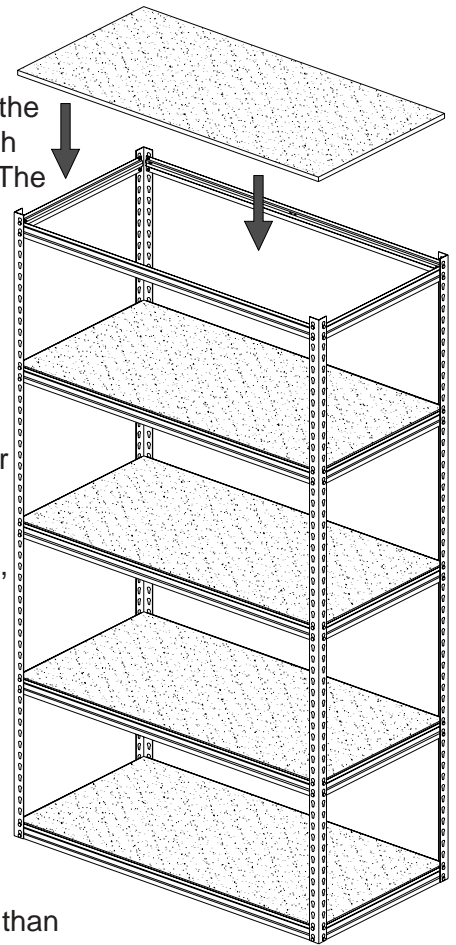


7. Attach the remaining shelf supports at the desired shelf levels, making sure that all shelf supports are completely seated in the upright slots.

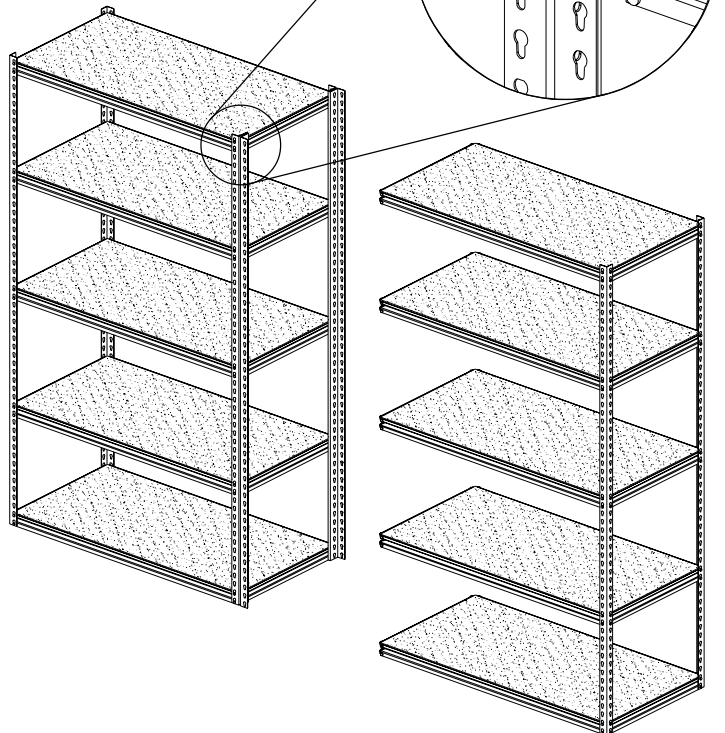


8. If particleboard decking was ordered, place the decking on each shelving level. The decking should fit flush inside the shelf supports.

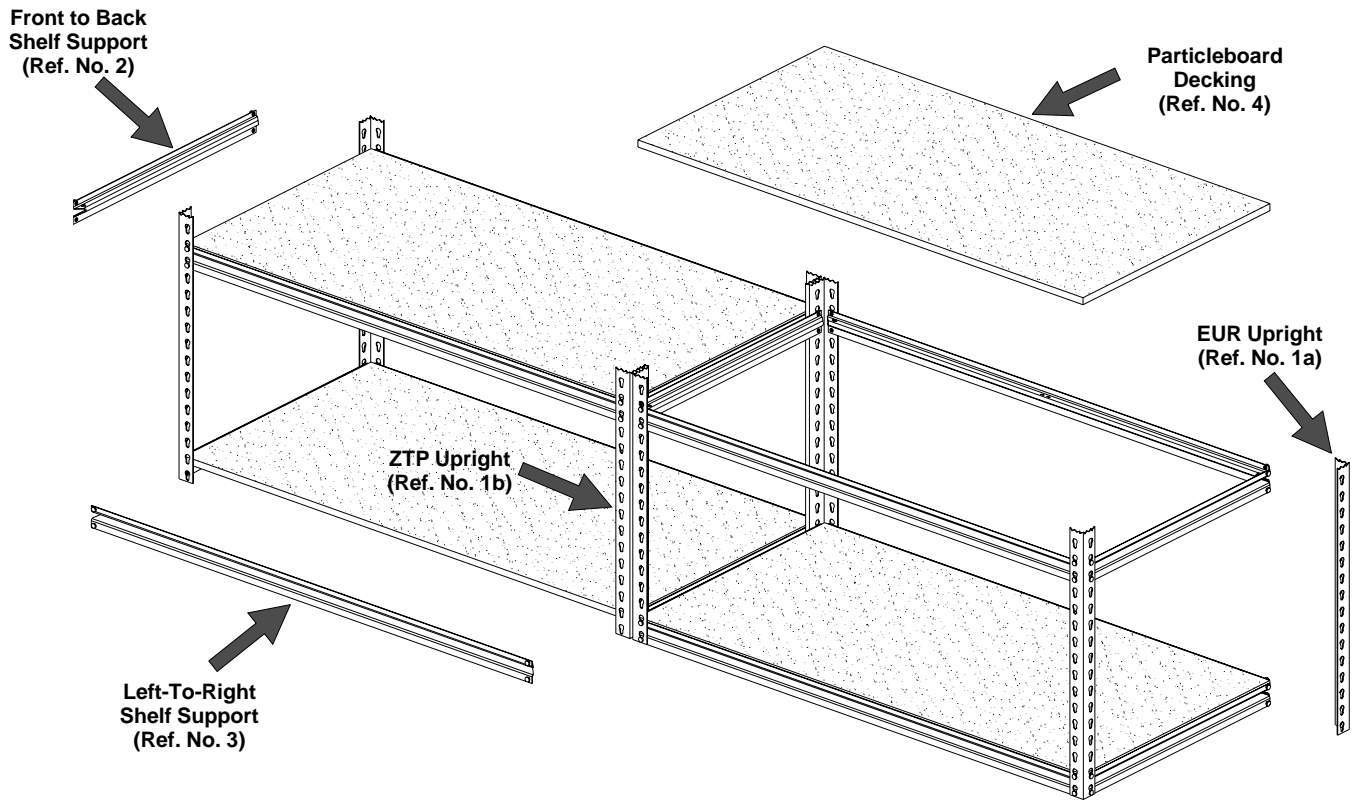
If you have purchased a single unit, your shelving unit is now complete. For adder units, see step 9.



9. If joining more than one unit together, your original unit should have been assembled with ZTP uprights on one end, as described in step 5. Simply continue adding shelf supports and uprights to complete your additional units.



REPLACEMENT PARTS



SINGLE OR STARTER UNIT				ADDER UNIT			
REF. NO.	DESCRIPTION	QTY.	PART NO.	REF. NO.	DESCRIPTION	QTY.	PART NO.
1a	Angle Post	4	EUR-hh	1b	"T" Post	2	ZTP-hh
2	Front-To-Back Shelf Support	10	VDRS-dd16	2	Front-To-Back Shelf Support	10	VDRS-dd16
3	Left-To-Right Shelf Support	10	VDRS-ww16	3	Left-To-Right Shelf Support	10	VDRS-ww16
4	Optional Particleboard Decking	5	PB-wwdd	4	Optional Particleboard Decking	5	PB-wwdd

*Where the suffix "ww", "dd", or "hh" is used in the part number, the width (ww), depth (dd) or height (hh) is substituted in the part number. For example, for an 84" high Angle Post, the part number would be EUR-84.

Tennsco makes every effort to ensure that all units ship complete with all parts and arrive undamaged. However, should your unit contain missing or damaged parts, replacements may be obtained directly from Tennsco. To obtain proper replacement parts, follow the instructions below:

TO OBTAIN PROPER REPLACEMENT PARTS, PLEASE PROVIDE THE FOLLOWING INFORMATION:

- Model Number
- Description of part(s) needed and part number(s) as shown in Parts List (above)
- Color (i.e. Medium Grey, etc.)
- Was item missing, or was it damaged?
- Purchase Date
- Your company name
- Contact person's name
- Who the product was purchased from

Tennsco Corp., P.O. Box 1888, Dickson, TN 37056-1888 Voice: (800) 251-8184 Fax: (800) 722-0134
 If requesting parts by telephone, ask for customer service and have as much of the above information ready as possible.